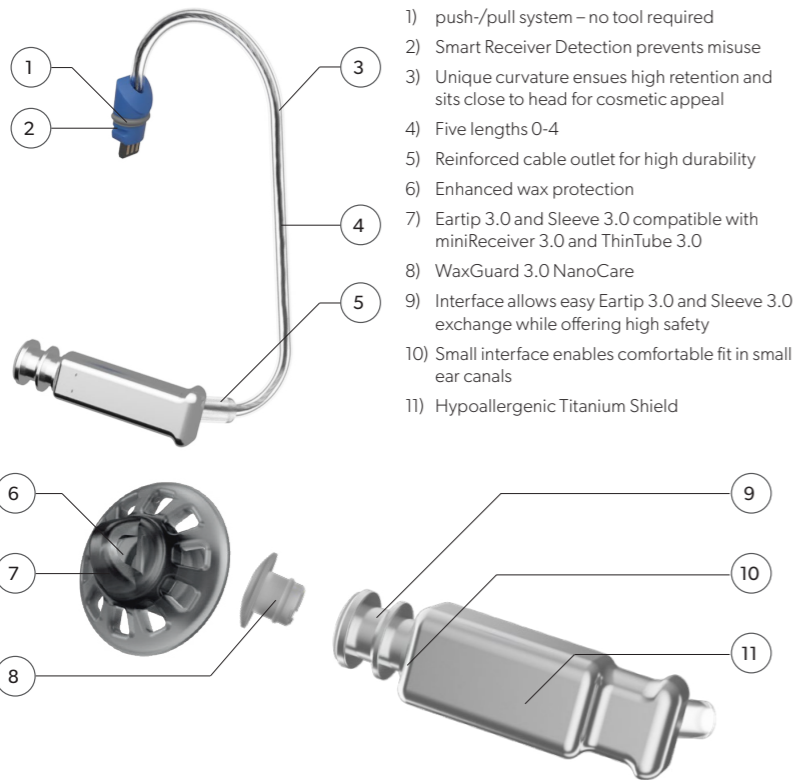




EarWear 3.0 – Discreet. Secure. Comfortable.

EarWear 3.0 delivers superior comfort and fit. Its small, subtle design ensures a secure and barely noticeable presence. With easy-to-exchange Eartips and Sleeves 3.0, and compatibility with custom earmolds, it provides an optimal hearing experience for your clients

miniReceiver 3.0



- 1) push-/pull system – no tool required
- 2) Smart Receiver Detection prevents misuse
- 3) Unique curvature ensures high retention and sits close to head for cosmetic appeal
- 4) Five lengths 0-4
- 5) Reinforced cable outlet for high durability
- 6) Enhanced wax protection
- 7) Eartip 3.0 and Sleeve 3.0 compatible with miniReceiver 3.0 and ThinTube 3.0
- 8) WaxGuard 3.0 NanoCare
- 9) Interface allows easy Eartip 3.0 and Sleeve 3.0 exchange while offering high safety
- 10) Small interface enables comfortable fit in small ear canals
- 11) Hypoallergenic Titanium Shield

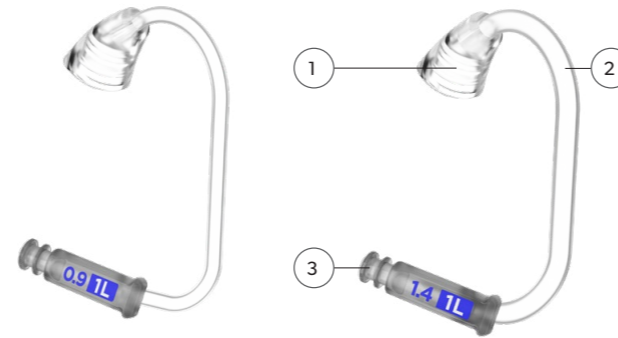
miniReceiver 3.0 available in four power levels:
S, M, P, and HP

	S		M		P		HP	
	2ccm coupler	Ear simulator	2ccm coupler	Ear simulator	2ccm coupler	Ear simulator	2ccm coupler	Ear simulator
OSPL 90 (Peak)	110 dB SPL	120 dB SPL	119 dB SPL	129 dB SPL	122 dB SPL	131 dB SPL	131 dB SPL	138 dB SPL
138 dB SPL	46 dB	57 dB	60 dB	70 dB	65 dB	75 dB	75 dB	83 dB

ThinTube 3.0

ThinTube 3.0 | 0.9 mm
Mild to moderate hearing loss

ThinTube 3.0 P | 1.4 mm
Severe hearing loss

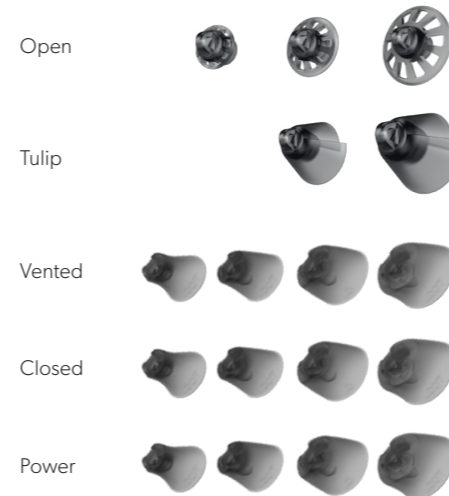


- 1) One-piece ThinTube 3.0 Sits close to the head for cosmetic appeal
- 2) Five lengths 0-4
- 3) Easy exchange of Eartip 3.0 and Sleeve 3.0 while offering high safety

Eartips 3.0 and Sleeves 3.0

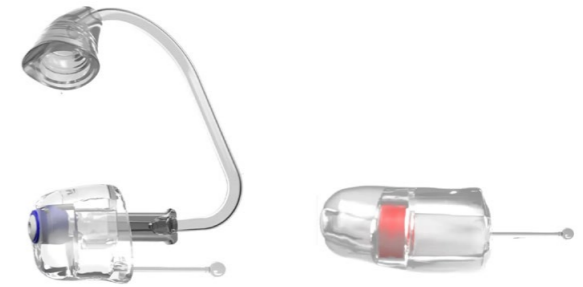
Comfortable fit, even in small ear canals

Secure and proven design is easy for wearers to exchange



Earmolds 3.0

Compatible with miniReceiver 3.0 and ThinTube 3.0



Earmold 3.0 is available in a short and a long version.

The long Earmold 3.0 comes with:
- WaxGuard 3.0 NanoCare
- QuickGuard Wax Guard

Concha Lock Sleeve 3.0

Optional Concha Lock Sleeve 3.0 is available in three sizes



Size	Compatibility
Concha Lock Sleeve 3.0 S	miniReceiver 3.0 S ThinTube 3.0 ThinTube 3.0 P
Concha Lock Sleeve 3.0 M	miniReceiver 3.0 M
Concha Lock Sleeve 3.0 P	miniReceiver 3.0 P

Be
Brilliant™

Tools and starter kits

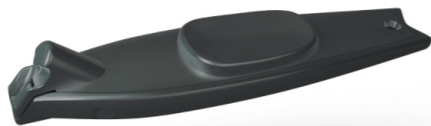
Starter kits are available for each solution: Eartips 3.0, ThinTube 3.0 and miniReceiver 3.0.

Each kit includes specific items required for that type of EarWear 3.0. These include:

- Measurement gauge to ensure a perfect match for miniReceivers 3.0 and ThinTubes 3.0
- Matchbook containing 8 Wax Guard 3.0 NanoCare
- 10-pack of new one-size-fits-all Concha Locks 3.0
- Optional tool for exchanging eartips
- Tool to press out the receiver from a custom eartip

You also receive instruction manuals on how to use EarWear 3.0, covering everything from eartips and sleeves to attaching or removing ThinTubes 3.0 or miniReceivers 3.0 to exchanging earmolds or WaxGuards.

Removal Tool 3.0



EarWear compatibility table

While newer Signia products use EarWear 3.0, some older products use EarWear 2.0

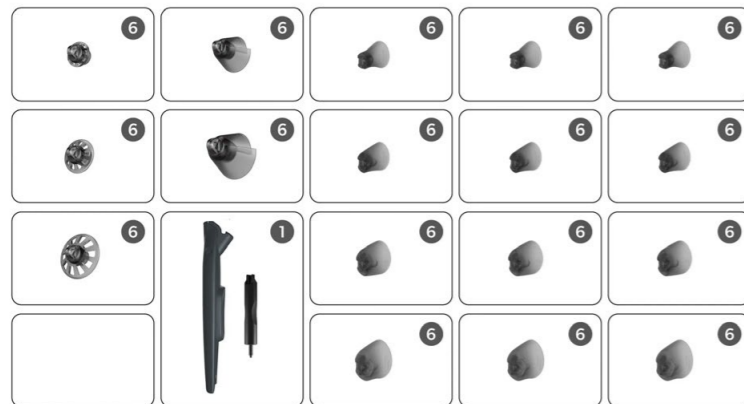
	ThinTube 3.0	miniReceiver 3.0	Eartips 3.0 & Sleeves 3.0	Earmold 3.0	ThinTube	Life-Tips	Life-Earmold	miniReceiver 2.0	Click Domes & Click Sleeves	Click Mold
Pure IX series	-	●	●	●	-	-	-	-	-	-
Silk IX series	-	-	●*	●**	-	-	-	-	-	-
Styletto AX series	-	●	●	●	-	-	-	-	-	-
Pure AX series	-	●	●	●	-	-	-	-	-	-
Motion X series	●	-	●	●	●***	-	-	-	-	-
Pure X series	-	-	-	-	-	-	-	●	●	●
Styletto X series	-	-	-	-	-	-	-	●	●	●
Silk X series	-	-	-	-	-	-	-	-	●	-
Motion Nx series	-	-	-	-	●	●	●	-	-	-
Silk Nx series	-	-	-	-	-	-	-	-	●	-

* Silk Charge&Go IX compatible with Sleeve 3.0 only

** Custom earmolds for Silk IX series not interchangeable with standard Earmold 3.0

*** Motion SP X is not compatible with ThinTube

Starter kit Eartips 3.0 contents



Starter kit ThinTube 3.0 contents



Starter kit miniReceiver 3.0 contents

